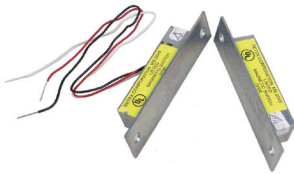


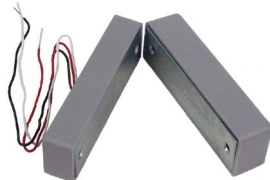
MAGNETIC SWITCH

MS-2049F, MS-2049S, MS-2049SC, MS-2049SI

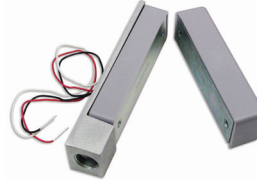
These magnetic switches are designed primarily to serve as sensing devices to detect the opening of a door or window; to assure that a protected door is securely under surveillance; to serve as a trigger for a wall-mounted Detex Exit Alarm; to signal that a door has been inadvertently left open; and to be used as a direct switch to set off many kinds of audio and visual alarms.



MS-2049F Flush
Magnetic Switch



MS-2049S Surface Mounted
Magnetic Switch



MS-2049SC Surface Mounted
Magnetic Switch
with conduit connector for use
with thin-wall conduit



MS-2049SI Surface Mounted
Magnetic Switch
for In-Swinging Doors

Benefits

- Provides assurance that protected doors are under surveillance
- Serves as a trigger for alarms or remote monitors
- UL listed for use on fire rated doors and assemblies

Features

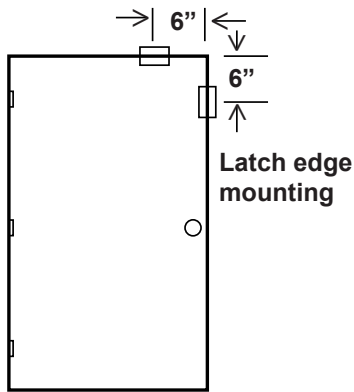
- Tamper protection - mounting screws inaccessible when door closed
- Components potted to protect against shock and moisture
- Easy installation with concealed wiring and color coded leads
- Surface mounted units are housed in a durable high impact ABS thermoplastic, a UL listed material used in the manufacture of telephones, auto bodies, etc.
- Wide range of alarm and signal applications
- Minimizes false signals due to loosely closed doors
- Switch rated for over one million operations under load

Technical Information

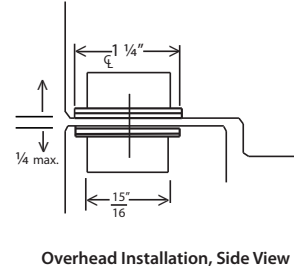
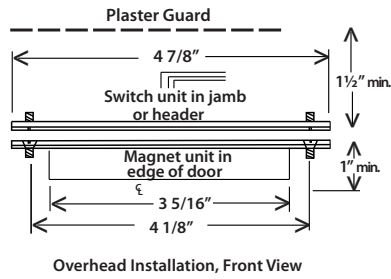
- Maximum contact ratings - 24VDC @ .5A
- For use on steel, aluminum or wood doors and frames
- May be mounted on stiles as narrow as 1-3/8"
- Overhead (preferred) or latch-stile mounting available for all models
- Switch - single pole, double throw (SPDT)
- The flush device (MS-2049F) should have the switch contact housed in the door frame and the magnet mortised in the edge of the door
- Wiring leads, 12" long, color coded, concealed

Riser Diagram

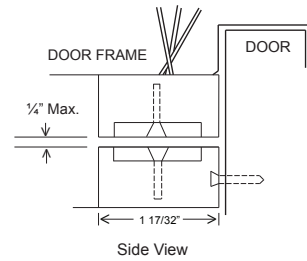
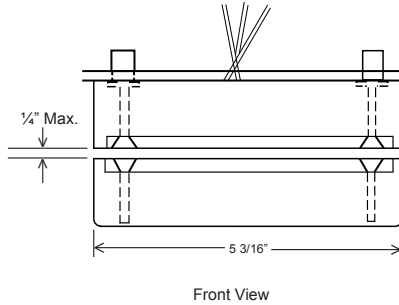
Overhead mounting (preferred)



Dimensions (MS-2049F)



Dimensions (MS-2049S)



Listings and Approvals



"UL Listed Miscellaneous Fire Door Accessories"
 "UL Listed Door Position Switch"

Detex Limited Warranty

3 Year Limited Manufacturers Warranty



Detex Corporation
 302 Detex Drive
 New Braunfels, Texas 78130-3045 USA
 PH. (830) 629-2900
 (800) 729-3839
 FAX (830) 620-6711
 (800) 653-3839
<http://www.detex.com>
 USA Sales:
marketing@detex.com
 International Sales:
export@detex.com